

FOCUSUN

HD Analog IP



Bring your Surveillance to HD World

FOCUSUN - World Manufacturer in HD Video Surveillance

Focusun Group is an integrated high-tech manufacturer for Video Surveillance Cameras (IP, HD SDI, AHD, CVI, TVI, CCTV), and also a global leader in provision of Fiber Optics and Optical Transceivers Solutions. The innovative technologies have transformed our customer's security and communication networks in multi-discipline market segments of commercial, residential, industrial, medical and military fields, as well as banking, large campus, casino, transportation, city center monitoring, power & energy, etc



2015 Catalog

P4 H.265 IP Vandalproof Dome

P5 3G/4G IP Waterproof Bullet

P6 2.0MP Wifi IP Bullet with Micro SD

P7 720P PoE NVR Kits DC48V

P8 720P/960P Mini NVR Kits

P9 1080P HD-SDI Speed Dome

P10 1080P TVI Dual Video Output

P11 1080P CVI Dual Video Output

P12 1080P AHD Latest Release

P13 960P 360° Fisheye IP Camera

P14 Home Network Pan & Tilt Camera

P15 Mobile Phone P2P IP Camera

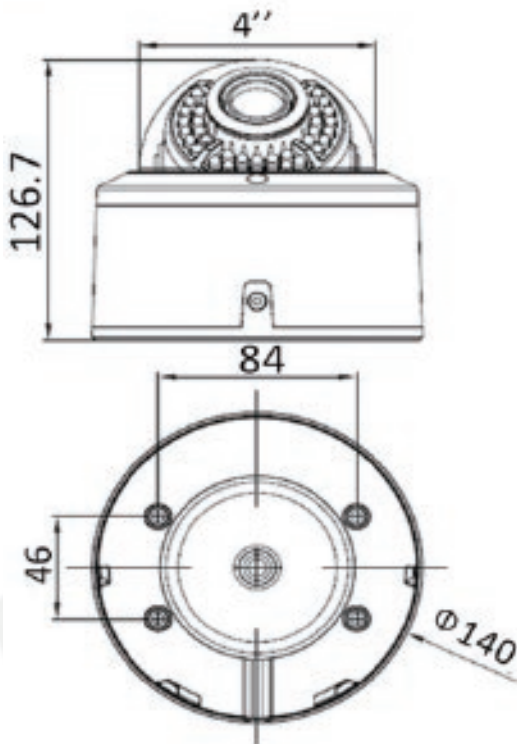
FS-VD18H5

H.265 IP Vandalproof Dome

Image



Dimension



Feature

- H.265 video compression, Wifi optional
- Onvif, 5.0 Megapixel
- Built-in PoE module customized
- 35pcs ϕ 5mm IR Leds, 30-35m IR Distance
- Lens: 2.8-12mm 2megapixel varifocal
- Color optional: White
- Zoom/Focus: External
- Bracket optional: +5US\$
- Z Design: Easy install, separated base, dust prevent

Specifications

Model	FS-VD18H5
DSP	HI3518A
Sensor	5.0Megapixel: CMOS photoreceptor: IMX178LQJ
Lens	Varifocal lens: 2.8-12mm(adjustment according to the customer's requirement) Standard, fixed aperture lens(optional)
Video parameter	Vedio compression: H.265/ H.264 compression technique Vedio coding: 5.0MP(2592*1920); 2.0MP(1920*1080); 1.0MP(1920*720) Video bite rate: 500.0Kbps-8.0Mbps, default value is 4000Kbps Vedio frame rate range: 1~30 fps per second, default value is 25fps per second Stream type: audio stream/audio stream, support VBR, DBR and CVBR
Audio parameter	dual-stream Min stream: 5.0Megapixel Sub-stream: 640*360, 480*360, 320*240, default value is 640*360 Audio coding G.711
Imagin adjustment	Can adjust the image color, image quality and transmission speed Can adjust image display time, date Can adjust lightness, contrast, saturation and sharpness
Network	Interface: 10/100 Mbps adaptive Ethernet
Protocol	Onvif, GB28181, TCP/IP, DHCP, HTTP, FTP, SMTP, TSP, SNTP, DNS PC browse, support browser: IE 6.0 or higher, Chrome, Firefox Media Watch: WEB, CMS Mobile phone IOS, android
Permission	Support 8 users browse at the same time
Upgrade maintenance	Support online firmware upgrade
Functions	RJ45, network interface
Power supply	Day/night vision with IRCut PoE power supply(optional) Heating module(Heating fuction works around 0°C, heating up to 5°C) DC12V
Working temperature	-20~60°C

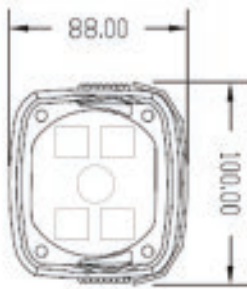
FS-WA3H2

3G/4G IP Waterproof Bullet

Image



Dimension



Feature

- H.264 video compression
- Onvif,960P,1.3 Megapixel
- 4Pcs array leds
- IR distance 100meters
- 4/6/8/12 fixed lens optional
- I/O: RJ45,audio,alarm,RS485
- Storage:Optional,TF card max.32GB,1.5days recording

Specifications

Model	FS-WA3H2
Item	960P
Sensor+DSP	AR0130+Hi3518C
Resolution	1280(H)*960(W)
3G	EVDO/WCDMA optional
Infrared lamp	4Pcs array leds, IR distance 100meters
Lens	4 mm /6 mm /8 mm /12mm fixed lens (optional)
Waterproof	IP66
Image adjustment	Vedio compression: H.264 compression technique
	960P Vedio bit rate: 500 Kbps-6Mbps
	Dual stream: 1-30FPS adjustable, Main: 960P/720P Sub-stream:704*576
Network	Can adjust the image color, image quality and transmission speed
	Can adjust the display time date
	Can adjust lightness, contrast, saturation and sharpness
	Interface: 10/100 Mbps adaptive software
	Protocol: Onvif, P2P function, FTTP, support Hkvision & Dahua NVR. Support Dahua PSS software
I/O	Browse: IE 7.0 or high, Chrome, Firefox, CMS
	Phone: iPhone, Windows Mobile, BlackBerry, Symbian, Andorid(IOS/ Andorid software customized service)
	Interface: RJ45, Audio, Alarm(1CH in, 1CH out), TF Card slot, RS485
Storage(optional)	Support TF Card storage(MAX capacity 32GB) approximately 1.5 day recording or 32,00,00Pic(TF card not including, optional)
Others	PC SDK free, Android SDK/ IOS reference code, embedded client SDK and reference code, forwarding platform SDK and reference code.Take the initiative to upload the video and data, through the 3G network is charging
Power supply	DC12V

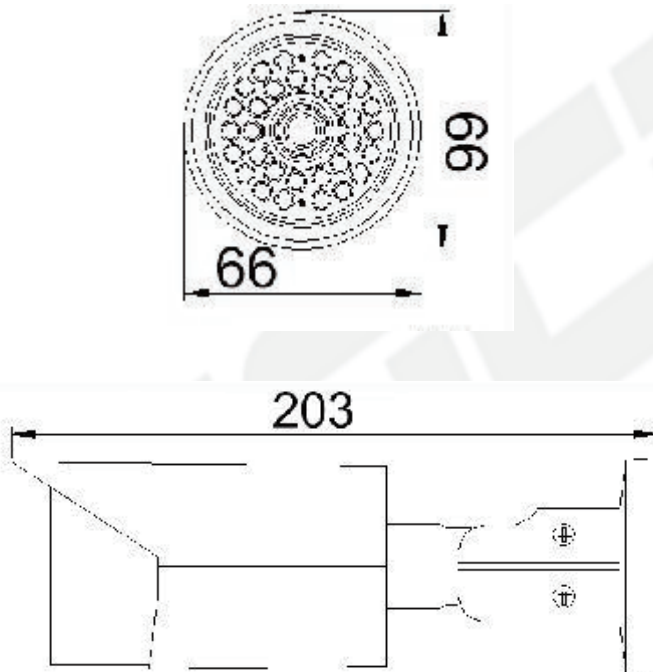
FS-W24H4

2.0MP Wifi IP Bullet with Micro SD

Image



Dimension



Feature

- H.264 video compression
- Onvif, 1080P, 2.0 Megapixel
- 36Pcs IR leds, IR distance 30meters
- 3.6mm fixed lens, manual zoom/aperture lens optional
- Support 8 users browse at the same time
- Support online firmware upgrade
- With Micro-SD interface
- Wifi function(IEEE 802.11 b/g/h)
- POE optional (IEEE 802.3.af)

Specifications

Model	FS-VD18H5
DSP	HI3518A
Sensor	5.0megapixel: CMOS photoreceptor: IMX178LQJ
Lens	Varifocal lens: 2.8-12mm(adjustment according to the customer's requirement) Standard, fixed aperture lens(optional)
Video parameter	Vedio compression: H.265/ H.264 compression technique Vedio coding: 5.0MP(2592*1920); 2.0MP(1920*1080); 1.0MP(1920*720) Vedio bite rate: 500.0Kbps-8.0Mbps, default value is 4000Kbps Vedio frame rate range: 1~30 fps per second, default value is 25fps per second Stream type: audio stream/audio stream, support VBR, DBR and CVBR
Audio parameter	dual-stream Min stream: 5.0Megapixel Sub-stream: 640*360, 480*360, 320*240, default value is 640*360 Audio coding G.711
Imagin adjustment	Can adjust the image color, image quality and transmission speed Can adjust image display time, date Can adjust lightness, contrast, saturation and sharpness
Network	Interface: 10/100 Mbps adaptive Ethernet
Protocol	Onvif, GB28181, TCP/IP, DHCP, HTTP, FTP, SMTP, TSP, SNTP, DNS PC browse, support browser: IE 6.0 or higher, Chrome, Firefox Media Watch: WEB, CMS Mobile phone IOS, android
Permission	Support 8 users browse at the same time
Upgrade maintenance	Support online firmware upgrade
Functions	RJ45, network interface
Power supply	Day/night vision with IRCut PoE power supply(optional) Heating module(Heating fuction works around 0°C, heating up to 5°C) DC12V
Working temperature	-20~60°C

FS-4124P

720P PoE NVR Kits DC48V

Image



Dimension



What's included for Real PoE NVR Kit?

- 4pcs* 720P IP Bullet built-in PoE (Waterproof bullet, 3.6mm fixed lens)
- 1pc* 4-CH 720P NVR
- 4pcs* 18m waterproof cables
- 1pc* mouse to NVR
- 1pc* remote control

Feature

- Real PoE NVR kit DC48V, plug and play
- I8s super protocol, no complex IP adjusting
- P2P auto connection by scanning QR code to setup
- Three ways to view by smartphone, browser and CMS
- Support 1pc Max.4TB HDD, full load record up to 30days
- Support VGA, HDMI full HD output simultaneously
- Professional CMS style, simple operation mode
- Support Wifi, 3G, ONVIF

Specifications

Kit Model	FS-4124P	
IPC		
System	System source	Embedded LINUX OS HI3518
Sensor	Sensor	1.0Mega Pixel, 1/4" progressive scanning CMOS
	Illumination	Color:0.1 Lux@F1.2, B/W:0 Lux@F1.2(IR ON) 100W
	Lens	3.6mm mega fixed lens
Others	Video compression	H.264 High profile
	Video code rate	1Mbps~6Mbps
	Resolution	100W: Main code stream:1280*720,704*576; Sub code stream:704*576, 352*288
Standard	Waterproof level	IP66
	IR distance	25-30M
	Power supply mode	NVR POE
	Communication mode	NVR Ethernet interface communication(P2P)
NVR		
System	System source	Embedded LINUX OS HI3515, simultaneously multi-record/playback/users/back-up
Interface	OS	16bit real color imaging OS menu, supporting mouse
	Image display	1/4 picture
Video	Input	4CH 720P(1280*720)
	Playback	720P
	Monitor	VGA:HD; HDMI: HD
	Motion detection	Support
Video playback	Record mode	Manual/dynamic detection/timing
	Local playback	1CH playback simultaneously
	Record query	Timing/Calendar/Event/Channel query
Storage back-up	Record storage	HDD/Network
	Back-up mode	Network back-up/USB mobile hard disk
Standard	Video output	1 CH VGA, 1 CH HDMI
	Network interface	5pcs RJ45, 10M/100M self-adaption Ethernet port
	USB interface	2pcs USB interface
	HDD interface	1pc SATA interface(MAX 4T)
	Power Supply	DC48V/2A
	Dimension	Black: 215(W)*215(L)*45(H)mm; White: 235(w)*205(L)*45(H)mm

FS-4101W

720P/960P Mini NVR Kits

Image



How to connect?



What's included for Wifi NVR Kit?

- 1pc* 4CH NVR with WiFi
- 4pcs* Outdoor IP cameras with WiFi
- 1pc*1.5m NVR cable with RJ45
- 4pcs* 20m network cable with RJ45
- 1pc* DC15V NVR power supply
- 1pc* NVR mouse
- 1pc* CD and user's manual

Feature

- Portable mini NVR kit,plug and play
- P2P auto connection by scanning QR code to setup
- Three ways to view by smartphone,browser and CMS
- Support 1pc Max.4TB HDD, full load record up to 30days
- Support VGA,HDMI full HD output simultaneously
- Professional CMS style,simple operation mode
- Support Wifi, 3G, ONVIF
- NVR via cable to connect wireless router

Specifications

Kit Model	FS-4101W	
Type	720P WiFi NVR KIT	
IPC		
System	System source	Embedded LINUX OS HI3518
Sensor	Sensor	1.0Mega Pixel, 1/4" progressive scanning CMOS
	Illumination	Color:0.1 Lux@F1.2, B/W:0 Lux@F1.2(IR ON) 100W
	Lens	3.6mm mega fixed lens
Others	Video compression	H.264 High profile
	Video code rate	1Mbps~6Mbps
	Resolution	130W: Main code stream:1280*960,1280*720; Sub code stream:704*576, 352*288
Standard	Waterproof level	IP67
	IR distance	25-30M
	Power supply mode	DC12V±10%
	Communication mode	WiFi transport(WiFi router)
NVR		
System	System source	Embedded LINUX OS HI3515
	System source	Simultaneously multi-record/playback/users/back-up
Interface	OS	16bit real color imaging OS menu, supporting mouse
	Image display	1/4 picture
Video	Input	4CH 720P(1280*720)/960P(1280*960)
	playback	720P
	monitor	VGA: HD; HDMI: HD
	Motion detection	Support
Video playback	Record mode	Manual/dynamic detection/timing
	Local playback	1CH playback simultaneously
	Record query	Timing/Calendar/Event/Channel query
Storage back-up	Record storage	HDD/Network
	Back-up mode	Network back-up/USB mobile hard disk
Standard	Video output	1 CH VGA, 1 CH HDMI
	Network interface	1pcs RJ45, 10M/100M self-adaption Ethernet port
	USB interface	2pcs USB interface
	HDD interface	1pc SATA interface (MAX 4T)
	Power Supply	DC12V/2A
	Dimension	Black: 215(W)x215(L)x45(H)mm; White: 235(w)*205(L)*45(H)mm

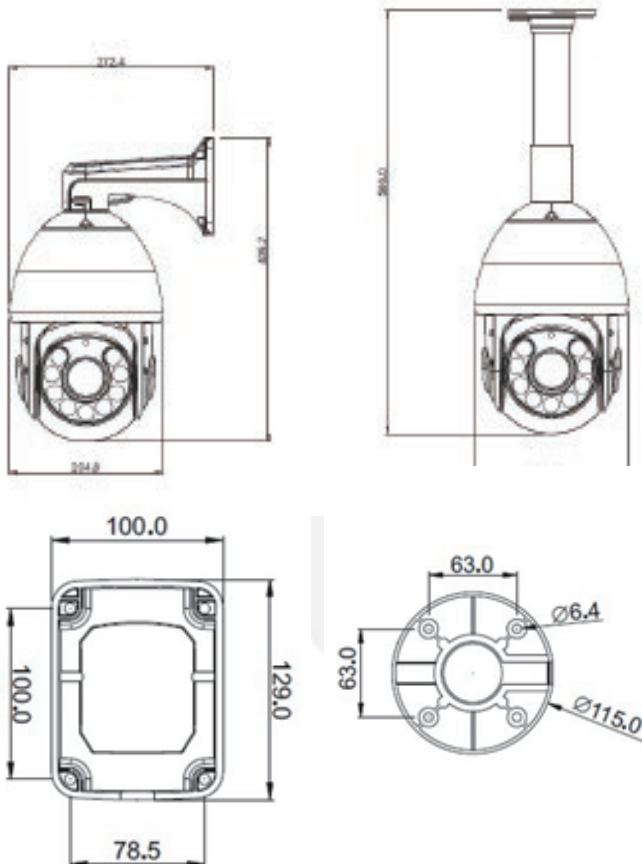
FS-77Y-D

1080P HD-SDI Speed Dome

Image



Dimension



Feature

- 9pcs infrared lights, IR distance 100-120m, IP66
- Support lightning protection, anti-surge, anti-surge function
- 2.1MP, HD-SDI, 20X optical zoom, 4.7-84.6mm lens
- Support PELCO-D, PELCO-P, Hikvision, DAHUA Protocols
- Support lightning protection, anti-surge, anti-surge function
- 360°endless pan range and 0°- 90°tilt range, auto-flip
- Max. pan preset speed 200°/s and max. tilt preset 30°/s
- Pan control speed 0.6°~220°/s, tilt control speed 0.8°~75°/s
- Support 220 preset, 8 patrols

Specifications

Model No.	FS-77Y-D	
Camera	Image Sensor	1/3" CMOS
	Effective Pixels	2.1MP pixels
	Min. Illumination	Color: 0.02Lux@(F1.6, AGC ON), B/W: 0.01Lux@(F1.6, AGC ON)
	White Balance	Auto/Manual//Indoor/Outdoor/
	AGC	Auto/Manual
	S/N Ratio	>50dB
	Day & Night	IR Cut Filter, 9pcs infrared lights
	Back light Compensation	Support
	Digital Noise Reduction	2D DNR
	Wide Dynamic Range	Digital Wide Dynamic Range
Lens	Shutter Speed	1/10s-1/10,000s
	Focus Mode	Auto/Manual/ONEAF
	Focal Length	4.7 ~ 84.8mm, 20x
	Zoom Speed	Approx.3s(Optical Wide-Tele)
Pan/Tilt	Angle of View	55.2 ~ 3.2 degree (Wide-Tele)
	Min. Working Distance	10mm ~ 1,500mm (Wide-Tele)
	Aperture Range	F1.6 ~ F 2.7
	Pan / Tilt Range	Pan: 360° endless; Tilt: -0° ~ 90° (Auto-Flip)
General	Pan / Tilt Speed	Pan Speed: 0.6° ~ 200° /s, Tilt Speed: 0.3° ~ 90° /s
	Proportional Zoom	Support
	Number of Preset	220
	Patrol	8 patrols, up to 32 presets per patrol
	Park Action	Pattern / Pan Scan / Tilt scan / Random scan / Frame scan
	Video Output	HD-SDI BNC
	IR distance	100-120meters
	RS-485 Protocols	HIKVISION, Pelco-P, Pelco-D, self-adaptive
	Working Temperature	12VDC: -20°C~60°C
	Humidity	90% or less
General	Protection Level	TVS3000V lightning, surge and voltage transient protection, weather proof IP66
	Net Weight (approx.)	7.5Kg
	Packaging	330x320x480mm, 2pcs/ctn, G.W. 22kg
	Mount Option	Wall mount or Ceiling mount
	Power	DC12V/4A (Change for AC24V add 5.00US\$/pc)

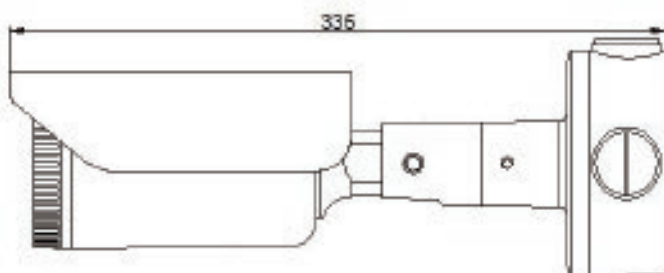
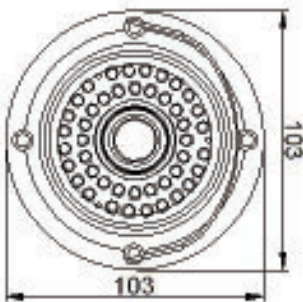
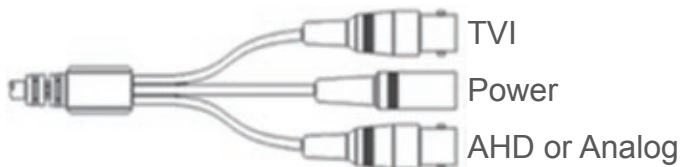
FS-W4VDTVI3

1080P TVI Dual Video Output

Image



Dimension



Feature

- Dual video output: TVI + AHD/Analog(optional)
- 42Pcs IR leds, 40meters IR distance
- Deep base hidden box bullet
- 2.8-12mm varifocal lens
- HD 1080P 2.0MP TVI solution
- Up to 500meters distance by Coaxial or CAT5 cable

Specifications

Model	FS-W4VDTVI3
Vedio Standard	PAL/NTSC
Image Sensor+DSP	1/2.8" CMOS Sony IMX322 + Nextchip2440 + Techpoint2801
Digital Signal Processor	TVI DSP
Effective Pixels	1920*1080P@25/30fps, 2.0Mega
Video Output	Dual video out: HD-TVI 1080P + AHD/Analog optional 1.0Vp-p, 75 ohms/BNC
Sensor Area	4.9mm x 3.7mm
IR Leds	850nm, 42pcs IR Leds, IR distance 40Meters
Minimum Illumination	IR LED on: 0 Lux
S/N Ratio	≥48dB (AGC OFF)
OSD Menu	12 languages: English, Chinese, Japanese, German, French, Russian, Italian, Portuguese, Spanish, Polish, Dutch, Turkish
Electronic Shutter	AUTO/ 1/50 (1/60) - 1/100,000sec
Day/Night	AUTO/COLOR/BW
White Balance	AUTO
Backlight Compensation	OFF/BLC/HLC
Motion Detection	4 Areas
Privacy Mask	8 Zone
Motion Detection	4 Areas
Privacy Mask	8 Zone
Gamma	0.45 (USER; 1; 0.95; 0.9; 0.85...0.05)
Exposure	AUTO
Wide Dynamic Range	DWDR (On / Off selectable)
Digital Noise Reduction	2D-NR
RS-485	Optional
Exposure Control for IR Light	YES
Operation Temperature	-20 °C ~ + 50 °C
Power Supply	DC 12V, 1A
Power Consumption	6.0W(max) 110mA(IR ON 440mA)

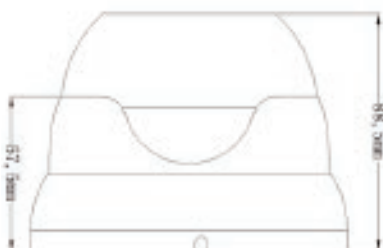
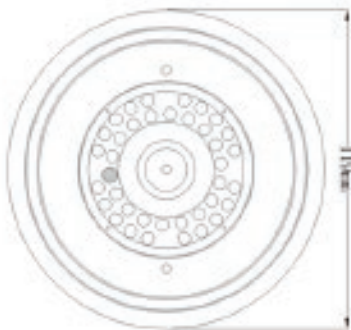
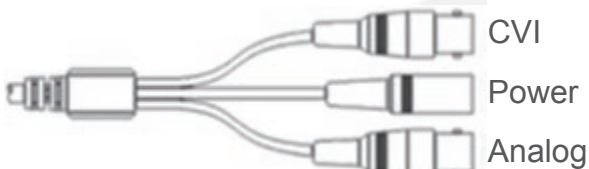
FS-VD7DCIV3

1080P CVI Dual Video Output

Image



Dimension



Feature

- Dual video output: CVI+Analog
- 36pcs ϕ 5mm IR Leds, 30-35m IR Distance
- Standard Lens: 2.8-12mm manual VF lens
- 2 color optional: Black/White
- HDCVI, 720P & 1080P
- Up to 500meters distance by Coaxial or CAT5 cable
- +5USD/pc for 2.8-12mm motorized lens (motorized zoom /auto focus)

Specifications

Model	FS-VD7DCVI3
Signal System	PAL/ NTSC
Image Sensor+DSP	1/2.8" CMOS Sony IMX322 + EN773E + DH9801
Scanning System	Progressive
Digital Signal Processor	CVI DSP
Effective Pixels	1920*1080P@25/30fps, 2.0Mega
Video Output	Dual video out: HD-CVI 1080P + Analog 1.0Vp-p, 75 ohms/BNC
Sensor Area	4.9mm x 3.7mm
IR Leds	850nm, 36pcs IR Leds, IR distance 35Meters
Minimum Illumination	0 Lux When IR ON
S/N Ratio	\geq 50dB (AGC OFF)
OSD Menu	12 languages: English, Chinese, Japanese, German, French, Russian, Italian, Portuguese, Spanish, Polish, Dutch, Turkish
Electronic Shutter	AUTO/ MANUAL(1/50, 1/60 - 1/30,000sec)
Digital Zoom	1.0x-8.0x
Day/Night	AUTO/COLOR/BW/EXTERN
Mirror	Off/On
Sense-up	Off-X8
White Balance	Auto/Auto ext/Preset/Manual
Backlight Compensation	OFF/BLC/HLC
Motion Detection	Off/On
Privacy Mask	16 Zone
Gamma	0.45 (USER: 1; 0.95; 0.9; 0.85...0.05)
Exposure	Shutter / SEN-UP / BRIGHTNESS/AGC / DWDR /DEFOG
Auto Gain Control	AUTO
Wide Dynamic Range	DWDR (On / Off selectable)
Monitor	0/1/2/3
Digital Noise Reduction	Off/Low/Middle/High
RS-485	Optional
Exposure Control for IR Light	YES
Operation Temperature	-20 °C ~ + 50 °C
Power Supply	DC 12V, 1A
Dome Size	ϕ 119*88.5mm(H)
Packaging	24PCs/CTN, 56*43*30CM, 19.1KGs

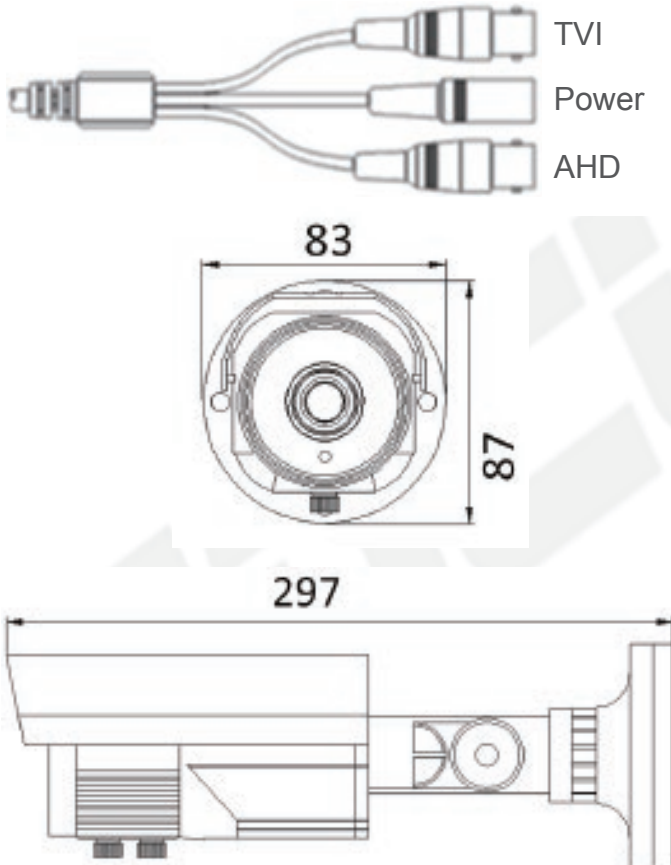
FS-W32AHD23

1080P AHD Latest Release

Image



Dimension



Feature

- Dual video output: AHD + TVI
- Leds: 12pcs Cold Light IR leds, 75-80m IR Distance
- Lens: 6-60mm manual varifocal lens
- Color optional: Ivory
- Video Test & Led level adjustable
- Bracket: 3-Axis cable bracket
- Lightning-proof +Static-free function
- Up to 500meters distance by Coaxial or CAT5 cable

Specifications

Model	FS-W32AHD23
Imaging Sensor	1/3" CMOS 1080P SonyIMX322 + Nextchip2440 + Techpoint2801
Effective Pixels	1920*1080P@25/30fps, 2.0Mega, Dual video out: AHD + TVI
Signal System	PAL/ NTSC
Minimum Illumination	0 Lux When IR ON
Video Output	1.0Vp-p, 75 ohms
S/N Ratio	≥ 48dB (AGC OFF)
OSD Menu	12 languages: English, Chinese, Japanese, German, French, Russian, Italian, Portuguese, Spanish, Polish, Dutch, Turkish
Electronic Shutter	AUTO/ 1/50 (1/60) - 1/100,000sec
Day/Night	AUTO/COLOR/BW
White Balance	AUTO
Backlight Compensation	OFF/BLC/HLC
Motion Detection	4 Areas
Privacy Mask	8 Zone
Gamma	0.45 (USER; 1; 0.95; 0.9; 0.85...0.05)
Exposure	Shutter / SEN-UP / BRIGHTNESS/AGC / DWDR /DEFOG
Auto Gain Control	AUTO
Wide Dynamic Range	DWDR (On / Off selectable)
Digital Noise Reduction	2D-NR
RS-485	Optional
Exposure Control for IR Light	YES
Operation Temperature	-20 °C ~ + 50 °C
Power Supply	12VDC (+/- 10%), 117mA ± 7mA
Bullet Size	φ297*87mm(H)
Packaging	10PCs/CTN, 92*34*36CM, 23.0KGs

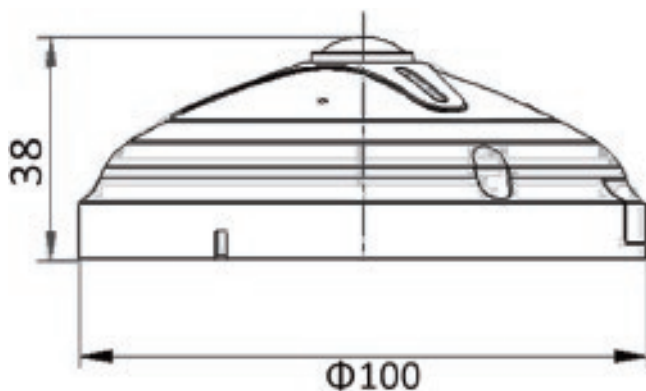
FS-M4DFT13

960P 360° Fisheye IP Camera

Image



Dimension



Feature

- 1.29mm Megapixel Lens
- Double Filter IR Cut
- 10-15m IR Distance
- 960P@25fps Resolution
- Onvif Compatible
- Dual-Stream H.264 Video Compression
- Built-in SD Card Slot, Microphone
- Support TCP/IP, HTTP, DHCP, DNS, RTP/ RTSP, FTP, PPPOE, SMTP, NTP Protocols
- Support IE/iOS Remote Control
- Support digital Pan Tilt Zoom

Specifications

Model	FS-M4DFT13	
Optoelectronic	Lens	Fisheye lens, f=1.29mm, F=2.2
	Fields of Vision	Horizontal 185°/vertical 185°
	Sensor	1/3" Progressive Scan CMOS
	Sensibility	Horizontal 185°/vertical 185°
	Day/Night	Auto switch IR cut
Image	Image Flip	Horizontal/ vertical
	Image Adjustment	Brightness, Saturation, Sharpness, Contrast, Tone
	Max. Resolution	1.3 Megapixels(1280*1024)
	Bit Rate	100Kbps~5120Kbps
Audio	Max. Frame Rate	PAL:25fps; NTSC:30fps
	Microphone	Internal
	Audio Coding	Compression:G.711; interface:1*RCA Input/1*RCA Output
Panoramic Function	Pickup Distance	6 meters
	Panoramic Function	Enabled by software
	Panoramic Display	Support upward on ceiling, wall
Intelligent Function	DPTZ	Digital PTZ, Pan/Tilt/ Zoom
	Motion Detection	20 x 15 regional detecting, sensibility 1~6 adjustable
	Alarm Trigger	Motion detection/ Video Tampering/ Abnormal procedure/ Alarm Input
Alarm Function	Alarm Action	Alarm record/ Image Snap, Alarm Vedio/ Image Upload(FTP/E-mail)
	Protocol	TCP/IP, HTTP, DHCP, DNS, RTP/RTSP, FTP, PPPOE, SMTP, NTP
Interface	Compatibility	ONVIF 2.0
	Communication Port	1 RJ45 10M/100M Ethernet
	Power Interface	ø5.5-2.1mm round DC socket
General Parameters	Local Storage	Up to 128G SD Card
	Power Supply	DC12V±10% 1A
	Power Consumption	<6W
	Working Temperature	-15°C~+50°C @ Humidity 10%~95%
	Protection Grade	IP50(Indoor Use)
Product Size	ø100(mm) x 38(mm)	
Weight	N.W.: 0.1kg / G.W.: 0.2kg	

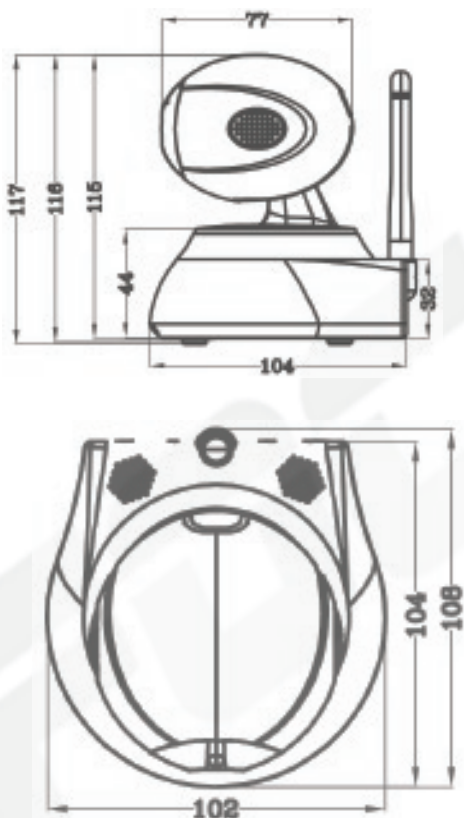
FS-HS001

Home Network Pan & Tilt Camera

Image



Dimension



Feature

- Full 720P HD Video technology
- Dark environments perfectly clear imaging technology
- IR wizard remoter for wireless WiFi access
- Two-way audio intercom technology
- 3D Voice Echo cancellation, noise suppression technologies
- Plug and Play technology; Alarm Push technology
- Imaging gravity sensor technology
- Network auto-adaptive technology
- Globally servers distributed, automatic shunted technology

Specifications

Model	FS-HS001	
Vedio Compression	Operation System	H.264 Baseline profile
Video	Image Sensor	1.0MP HD CMOS Sensor
	Core Chipset	HI3518E Chipset
	Resolution	720P HD images, resolution up tp 1280*720
	Resolution Variable	720P(1280*720), VGA(640*360), QVGA(320*180)
	Frame Rate	1~30fps
	Min. Illumination	Color: 1.5 Lux; W/B: 0 Lux with IR LED ON
	IR Distance	Dual IR cut filter with auto switch, 2pcs high-power IR LEDES, night vision at 5 meters
	S/N Ration	≥ 38dB
	CMOS Features	Support AWB, AGC, BLC
Lens/ Visual Angel	3.6mm @ F1.4/ 56.14°	
System Feature	Security	Account, password user authentication
	Adaptive dynamic IP domain name system(Free)	
	Support megapixel HD mobile phone monitor	
	Mobile phone monitor	Software vision: IOS4.3, Android 2.3 and above Support external 32GB Micro SD Card, 24 hours recording
Plug and Play		
Audio	Audio Compression	G.711A
	Audio Input	1CH built-in 38dB microphone
	Audio Output	Built-in speaker(8Ω 2W)
PTZ Control	Pan & Tilt	Horizontal 355°, vertical 120°
Video Management	Recording Mode	Manual recording, timing recording and alarm recording
	Vedio Storage	TF Card
Network	Ethernet	10Base-T/100Base-TX, RJ45 Connector
	Protocols	TCP/IP,HTTP,TCP,UDP,SMTP,DHCP,DNS,DDNS,NTP,UPnP,P2P
	Wireless	WiFi 802.11b/g/n wireless network
Alarm	Alarm Input	Learning wireless sensor alarm input
	Motion Detection	Support
	Alarm Detection	Max.64ch wireless alarm sensor, support 1 key defense
	Alarm Action1	Speaker alarm and call 3 different mobile phones
	Alarm Action2	Capture photos and send by E-mail
General	Material	Cartoon rbot/engineering plastics
	Power Supply	DC5V 2A
	Working Temperature	-10~50°C
	Dimensions	104x102x117mm(L x W x H)
	Weight	N.W:310g/pcs;G.W:750g/pcs;9kg/1 CTN;10pcs/1 CTN
	Stadard Accessories	Power adapptor, Bracket and Operation fuide
Accessories Optional	Wireless door contact and controller	

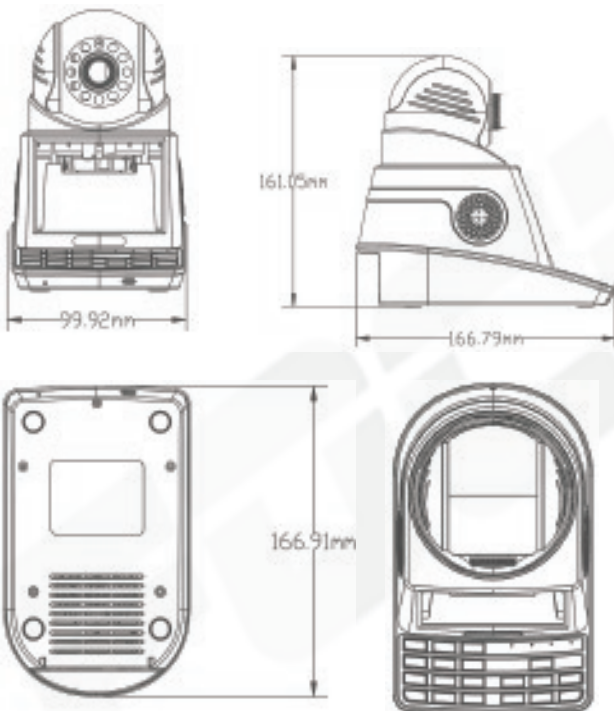
FS-HS03W

Mobile Phone P2P IP Camera

Image



Dimension



Feature

- 3.6mm Megapixel Lens, 11pcs 5mm IR LED
- 0.3MP@25fps Resolution
- Onvif Compatible, Double Filter IR Cut
- Dual-Stream H.264 Video Compression
- Built-in Microphone/ Speaker/ WiFi; TF Card Slot
- Support TCP/IP, HTTP, UDP, SMTP, FTP, DHCP,
- DNS, DDNS, NTP, UPNP, RTSP, P2P Protocol
- Support IE/iOS Remote Control
- Support Video Call, Pan: 350° Tilt:90°
- Plastic Housing, 5V 2A Power Adaptor

Specifications

Model	FS-HS03W	
System	CPU	Industrial-grade embedded microcontroller Hi3507
	Operating System	Embedded Linux OS
Video	Image Sensor	0.3MP CMOS
	Video Compression	H.264
	Video Signal System	PAL&NTSC
	Video Resolution	VGA: 640*480
	Playback Image Quality	VGA @25fps or 30fps
	Motion Detection	Support
	Minimum Illumination	0Lux
	IR	Yes
	Video call	Yes
	Screenshots Function	Yes
	Video Output	BT656/ 3.5 inch TFT LCD
	Audio	Compression
Audio Output		Built-in speakers or an external headset
Audio Input		Built-in microphone or an external headset
Recording	Mode	Manual/ Timer/ motion/ Schedule
	Video Storage	USB, Micro SD
Alarm	Alarm Input	Learning wireless sensor alarm input
	Alarm Triggered	Speakers alarm, Alarm recording, Capture & E-mail
Others	LAN	1 RJ45 Interface, 10/100 Self-adaption
	USB	1 USB 2.0 Interface
	TF	1 TF Interface
	WiFi	Support 802.11 b/g/n
	Power supply	DC 5V 24A
	PTZ Control	Built-in horizontal and vertical control motor
	Power Consumption	2W
	Working Temps	0°C - + 55°C
	Working Humidity	10%-90%
Size	Cam: 10*16.7*16.1cm CTN: 60*38*20cm(10pcs/CN)	

World Manufacturer in HD Video Surveillance

Focusun Technology Limited

Block A6, Silicon Valley Dynamics, Qinghu
Park, Dahe Road, Longhua, Shenzhen

Tel: +86-755-66601863

Email: sales@focusuntech.com

Website: www.focusuntech.com